

LHLink - Pivoting front linkage

Manual control

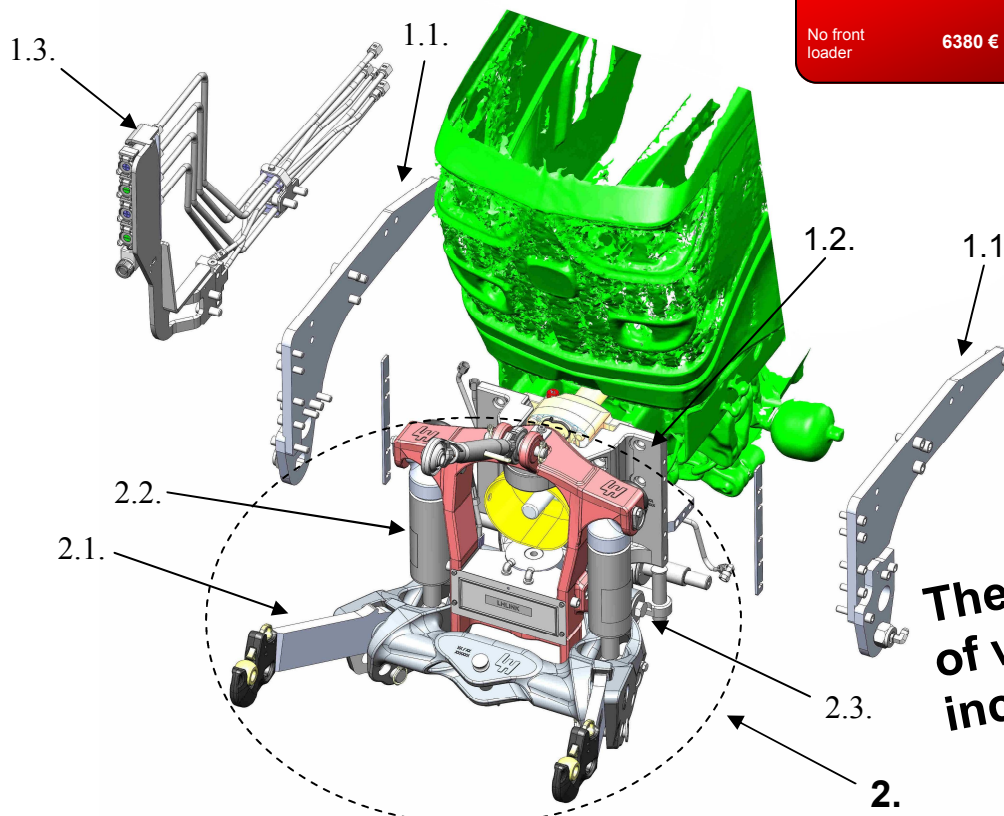
- User friendly pivoting front linkage that releases a driver to focus on an equipment
 - > The effectivity of work increases
- The lifting and lowering and turning of the front linkage are operated with a joystick manually
- Max turning angle 35° to both directions
- Lifting range 840 mm

1. Fixed mounting frame

- 1.1. Side plates
- 1.2. Frame part
- 1.3. The rack for auxiliary hydraulics (Available also to the left side as accessory)

2. Pivoting linkage

- 2.1. Link arm
- 2.2. Lifting cylinder
- 2.3. Turning cylinder



	As components VAT 0%	(VAT 24%)	Assembled VAT 0%	(VAT 24%)
Front loader	7700 €	(9548 €)	9130 €	(11 321 €)
No front loader	6380 €	(7911 €)	7095 €	(8798 €)

**The effectivity
of work
increases!**

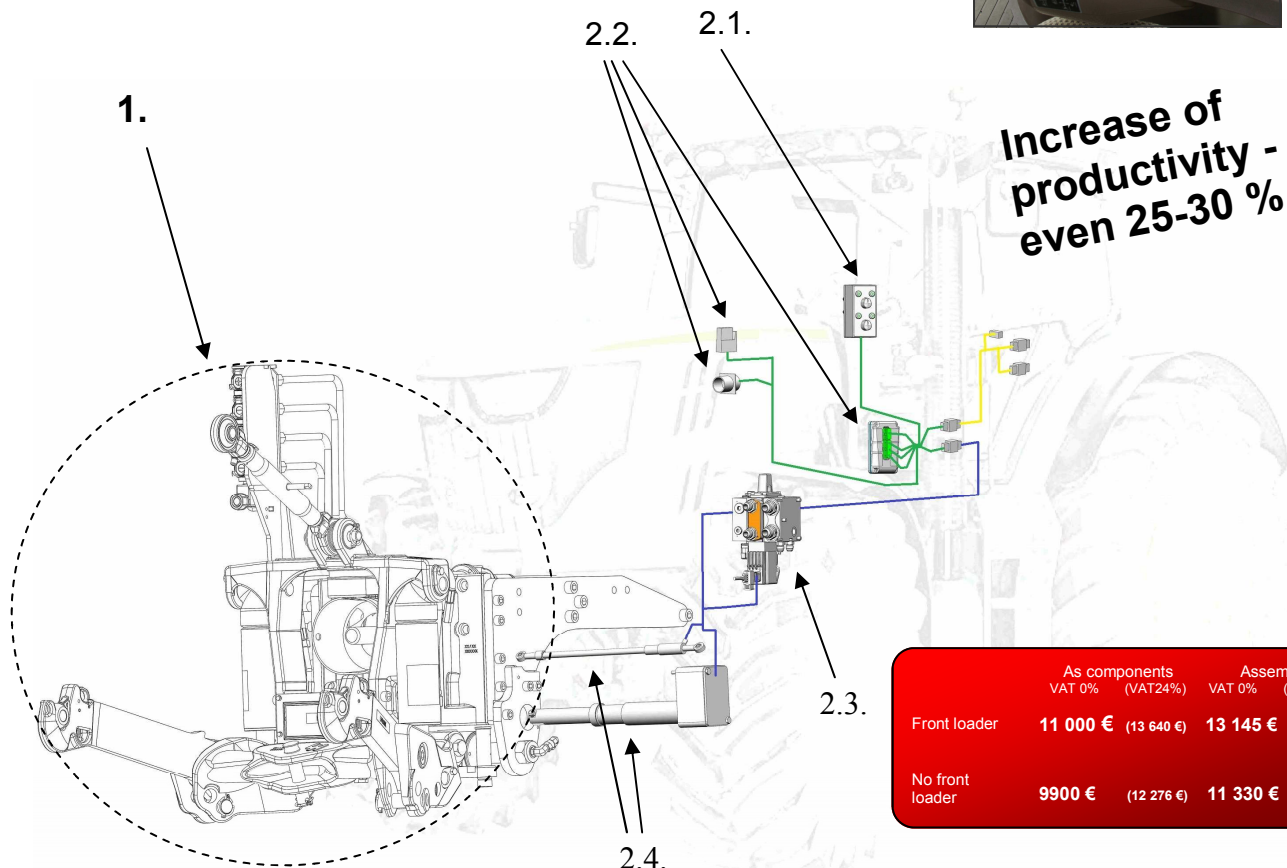
LHLink - Pivoting front linkage Automatic control

- The front linkage turns automatically with front wheels.
- Working is much more powerfull because a driver is allowed to focus on driving an equipment
- Lifting and lowering are operated with a joystick manually
- Max turning angle 35° to both directions
- Lifting range 840 mm



The magnitude of turning is controlled by the control unit

1. **Front linkage**
2. **Electronics for automatic control**
 - 2.1. Control unit
 - 2.2. CPU, servicing connector and relay
 - 2.3. Valve Blocks
 - 2.4. Censors for turning



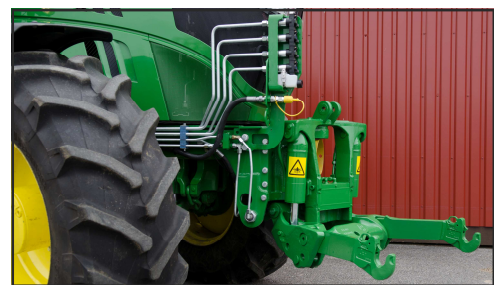
Increase of productivity - even 25-30 %

	As components VAT 0% (VAT24%)	Assembled VAT 0% (VAT 24%)
Front loader	11 000 € (13 640 €)	13 145 € (16 300 €)
No front loader	9900 € (12 276 €)	11 330 € (14 050 €)

LHLink - Pivoting front linkage

Technical data

Tractor model series	6130M/R—6150M/R
Width (front linkage straight, transport position)	800 mm
Width (including turning radius, working position)	1583 mm
Weight (standard equipment)	550 kg
Front linkage category	Cat. 2 (870 mm)
Quick release hook category	Cat. 3
Top link category	Cat. 2
Lifting capacity	3500 kg
Lifting range	840 mm
Max turning angle	35° to both directions
Front PTO nominal rotation speed (clockwise in direction of travel)	1000 rpm
Front PTO shaft profile	1 3/8" (35 mm)
Max oil flow rate	50 l/min
Number of quick couplings for aux. hydraulics (std. equipment)	1–4 pairs
Control system CPU	IOEM
Extra length from fore in transport position	600 mm
Ground clearance with R30 front wheel	840 mm
Matching with John Deere H360 front loader	John Deere H360 front loader



LHLink - Pivoting front linkage

Usage with front loader

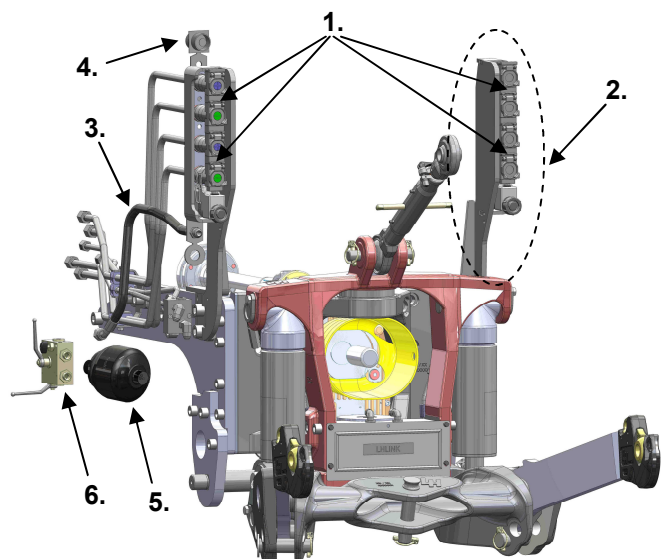
- Matching with John Deere H360 front loader
- The front loader must be separated while using the front linkage
- The link arms must be separated while using the front loader

Requirements for the tractor

- John Deere 6000 series tractor
- Front loader valve blocks package (3 pcs)
- Joystick

Accessories (Prices are VAT 0% and them include assembling)

1. Quick couplings pairs 1, 2, 3 and 4 for auxiliary hydraulics
2. The rack for auxiliary hydraulics to the left side (pairs 3 and 4) **460 €**
3. Free return **200 €**
4. 12 V power socket **100 €**
5. The attenuation of oscillation **330 €**
6. 3 way valve **330 €**



LHLink - Pivoting front linkage Applications

Especially applications with sharp borders of work area:

- **Mowing fields**
- **Snow plowing**
- **Upkeeping the streets and maintenance**

More exact and easier storage with lift truck forks

