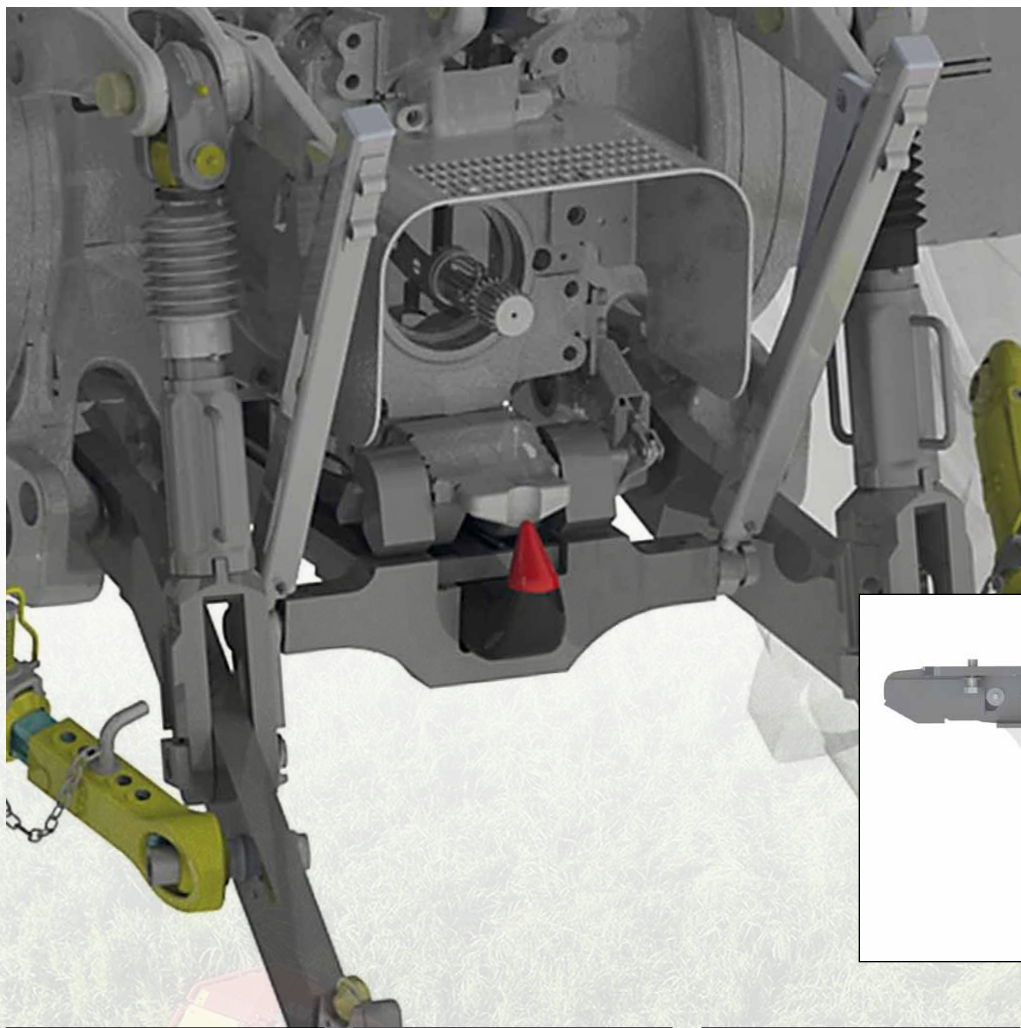


# Rear hitches and drawbars

LH Lift manufacturers rear hitches, drawbars and other pulling equipment for OEM clients and retailers. The design of these products ensures that coupling is easy thanks to sufficient reach and clearance. Our hydraulic hooks also indicate safe locking by means of a clear audio signal and visual display.

Our rear hitches and drawbars are manufactured with knobs, Ø 80 balls and bars. All of our towing hooks and pulling equipment models are suitable for use on roads.



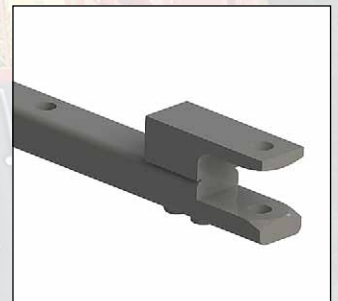
Pick-up hitch



Ball hitch



Agricultural hitch



Drawbar



Faster. Smarter. Done.

# Aftermarket products

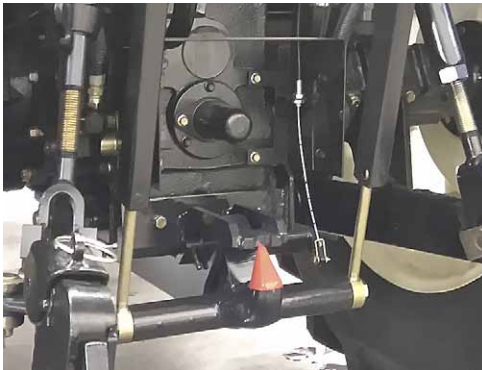
LH Lift manufactures pulling equipment for the following tractor brands: Belarus, Branson, Fendt, John Deere and Valtra.



Valtra



John Deere

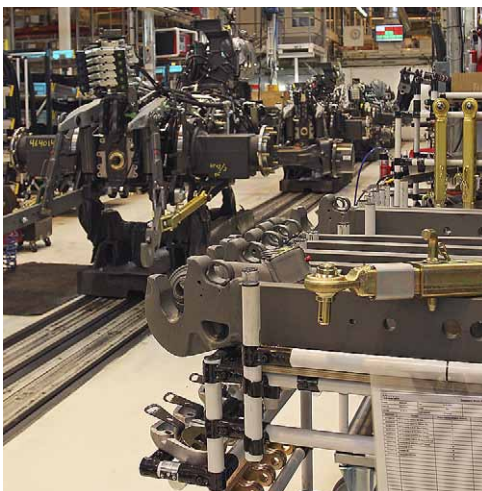


Branson



Belarus

# OEM products



LH Lift delivers pulling equipment directly to the assembly lines of OEM clients, and also as aftermarket products to end customers, retailers and service outlets.

